

JM On-Off Type



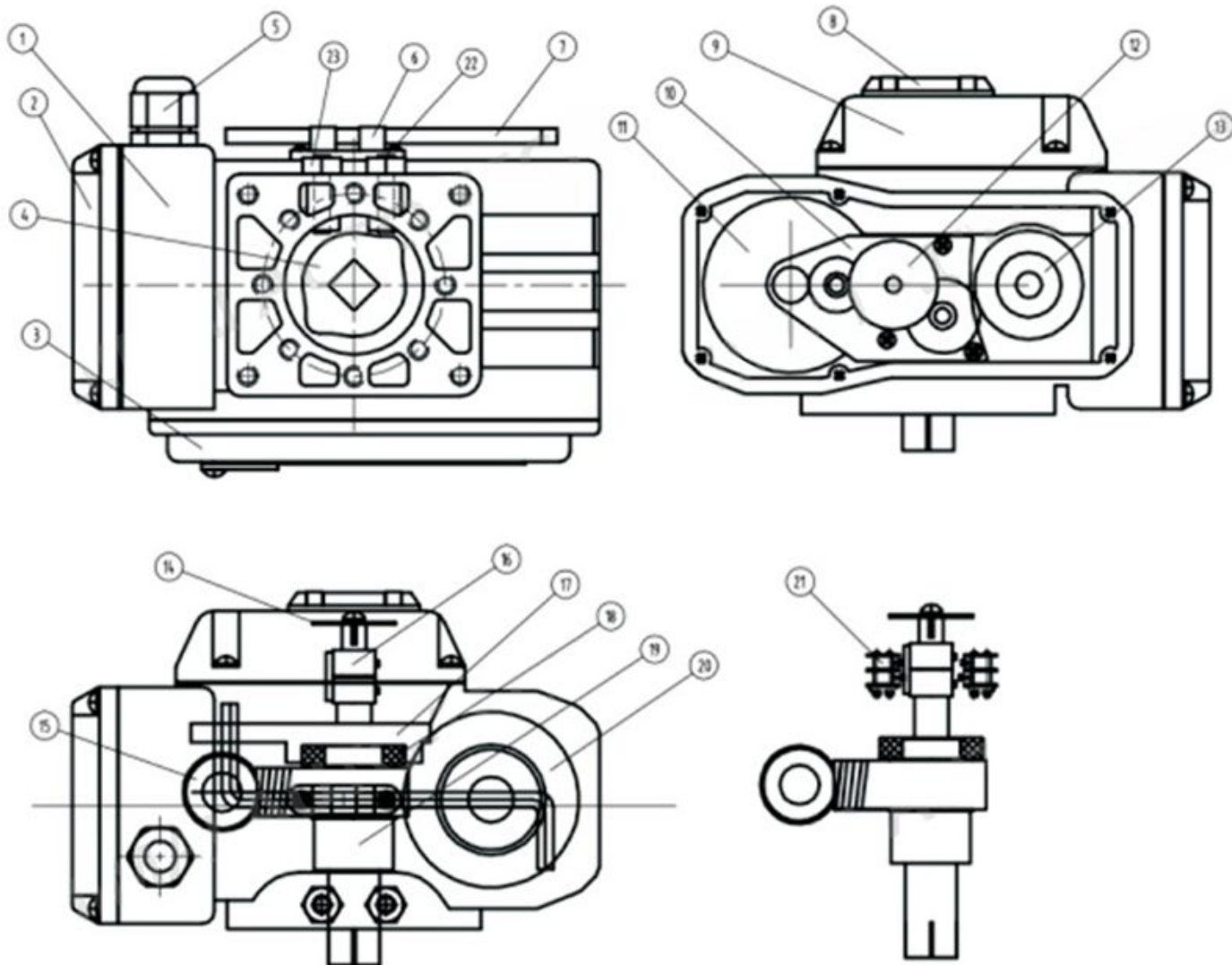
JIMAI JM Series Compact / Industrial Duty / Quarter Turn / Weather-Proof / Valve Rotary Electric Actuator On-off Type with Screen Display for Ball Valve Butterfly Valve

Model	JM 05	JM 05	JM 15	JM 25	JM 50	JM 100	JM 200	
Power	AC24V,AC110V,AC220V,AC380V,DC24V,DC110V,DC220V							
Output torque	50N.M	100N.M	150N.M	250N.M	500N.M	1000N.M	2000N.M	
Action time	12/25s	15/30s					50/100s	
Motor power	15W	25W	30W	45W	90W	110W	110W	
Protection	Motor Overheating protection(120°C)							
Angle of Rotation	0-90°							
Temperature	-10-60°C							
Withstand voltage	1500V							
Starting current	0.25A	0.6A	0.68A	0.76A	1.2A	1.36A	1.36A	
working current	0.25A	0.52A	0.55A	0.76A	1.15A	1.28A	1.28A	
Protection grade	Equivalent of IP67 standard							
Limit	Electric: fully open to fully closed limit switch; Manual:mechanical block							
Weight	2.8Kg	4.2Kg	4.5Kg	0.2Kg	7.5kg	12.5Kg	12.5Kg	
Input signal	4-20mA 1-10V 1-5V							
Output signal	4-20mA 1-10V 1-5V							

Actuator Size Selection for Valve

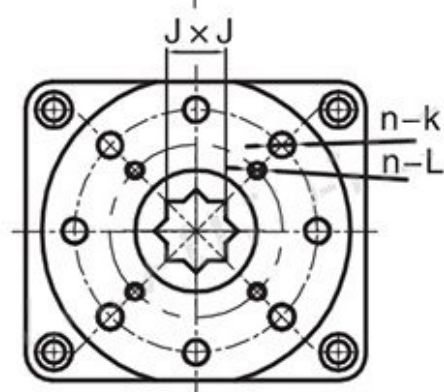
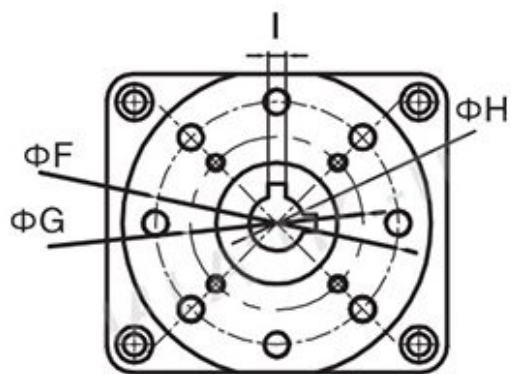
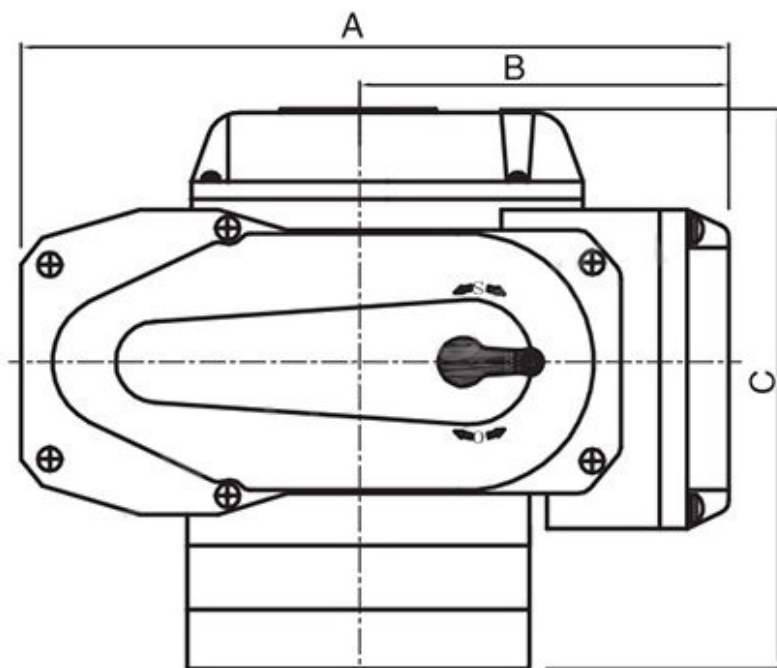
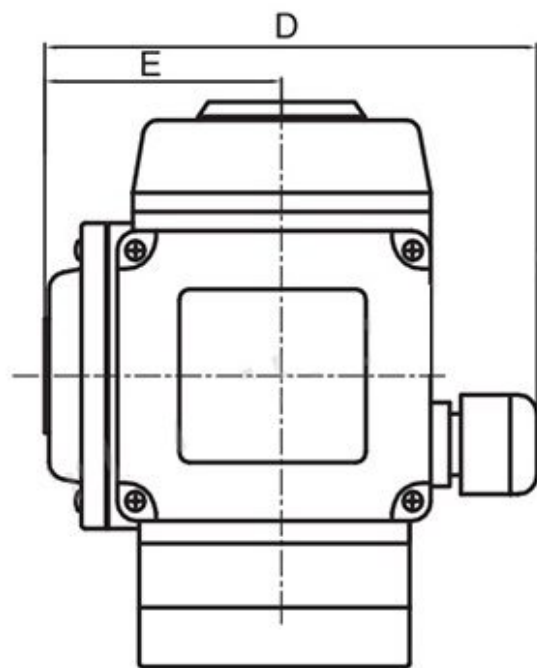
Model	Ball Valve (Hard Seal)	Ball Valve (Soft Seal)	Butterfly Valve (Hard Seal)	Butterfly Valve (Soft Seal)
JM-05	DN15-DN25	DN15-DN40	DN50	DN50-DN65
JM-10	DN32-DN40	DN30-DN65	DN65-DN80	DN80-DN125
JM-15	DN40-DN50	DN65	DN100-DN125	DN125-DN150
JM-25	DN65-DN80	DN80-DN100	DN125-DN150	DN150-DN200
JM-50	DN80-DN100	DN100-DN125	DN200-DN250	DN250-DN6300
JM-100	DN125	DN150	DN250-DN300	DN300-DN350
JM-200	DN150-DN200	DN200-DN250	DN350-DN400	DN400-DN500

Material Using



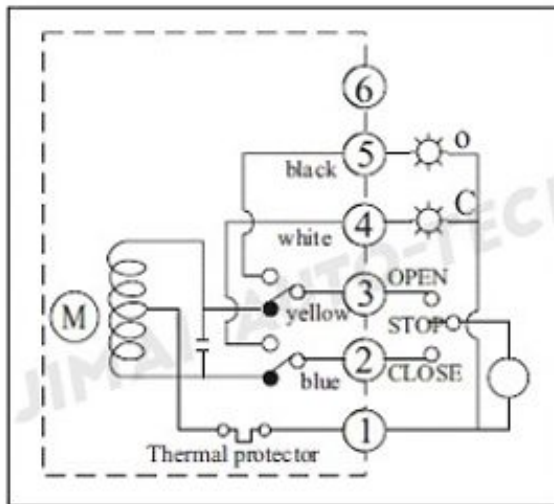
No	Parts Name	Material	Qty	No	Parts Name	Material	Qty
1	Main Body	Aluminum Alloy	1	13	Oil Seal	Rubber	2
2	Wiring Cover	Aluminum Alloy	1	14	Dial Plate	Aluminum Alloy	1
3	Gear Cover	Aluminum Alloy	1	15	Transmission Worm, Steam	40CR	1
4	Mechanical Block	Aluminum Alloy	1	16	Limit Cam	Aluminum Alloy	2
5	Waterproof Connector	Plastic	1	17	Worm Gear Cover	Aluminum Alloy	1
6	Wrench Buckle	Plastic	1	18	Shaft	Steel	10
7	Manual Handle	Cr12	1	19	Transmission Worm, Steam	Aluminum Alloy	1
8	Indicate Window	Aluminum Alloy	1	20	Motor Set	Copper	1
9	Upper Cover	Aluminum Alloy	1	21	SPDT Switches	Plastic	4
10	Gearbox	Plastic	1	22	Nut	SS	2
11	Motor Cover	Aluminum Alloy	1	23	Screw	SS	2
12	Transmission Worm Set	40CR	1				

Outline Dimension

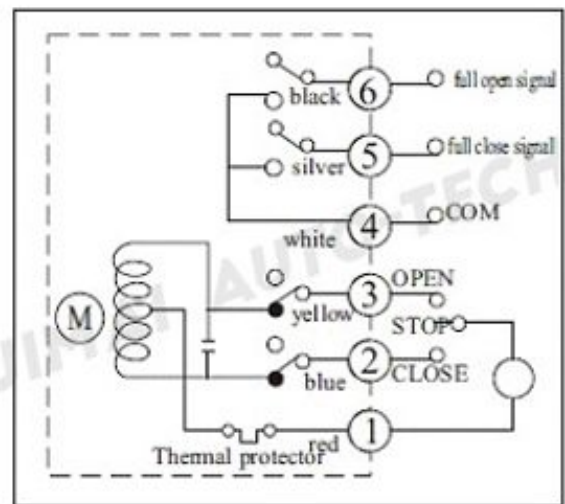


Model	A	B	C	D	E	F	G	H	I	J	K	L
JM-05	165	72	152	134	67	Ø 50	Ø36	Ø12.8	3	11X11	4-M6	4-M6
JM-10	204	98.5	159	140	75	Ø 70	Ø50	Ø16	5	14X14	4-M8	4-M6
JM-15	204	98.5	159	140	75	Ø 70	Ø50	Ø19.1	5	17X17	4-M8	4-M6
JM-25	257	119	193	178	90	Ø 102	Ø70	Ø22.3	5	22X22	4-M10	4-M8
JM-50	257	119	193	178	90	Ø 102	Ø70	Ø28.8	5	22X22	4-M10	4-M8
JM-100	280	153	160	172	90	Ø 125	Ø102	Ø31.8	8	27X27	4-M12	4-M10
JM-200	280	153	160	172	90	Ø 140	Ø125	Ø33.4	10	36X36	4-M12	4-M12

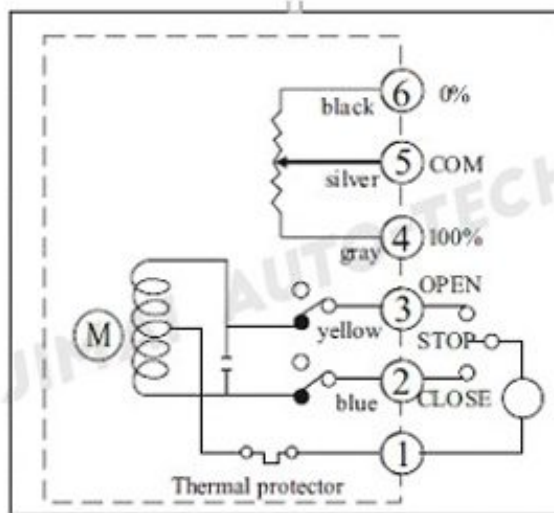
1. On-Off Type



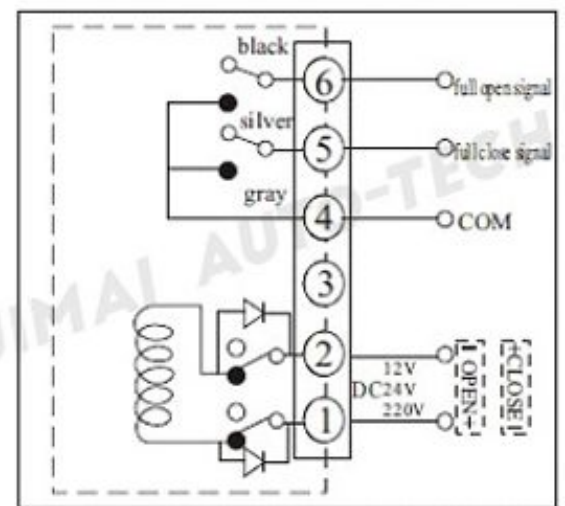
2. Passive Contact Type



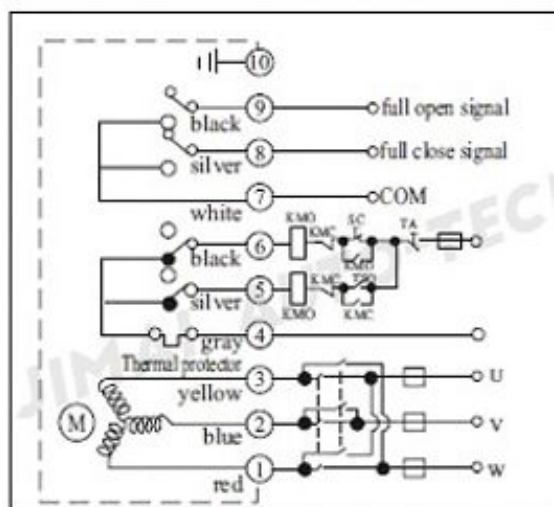
3. Resistance Feedback Type



4. DC Motor With Intermediate Position Switch Type



5. AC 380V Control Circuit with Switches



6. With Potentiometer And Additional

