

JMO On-Off Type



JIMAI JMO Series Compact / Industrial Duty / Quarter Turn / Weather-Proof / Valve Rotary Electric Actuator On-off Type for Ball Valve Butterfly Valve

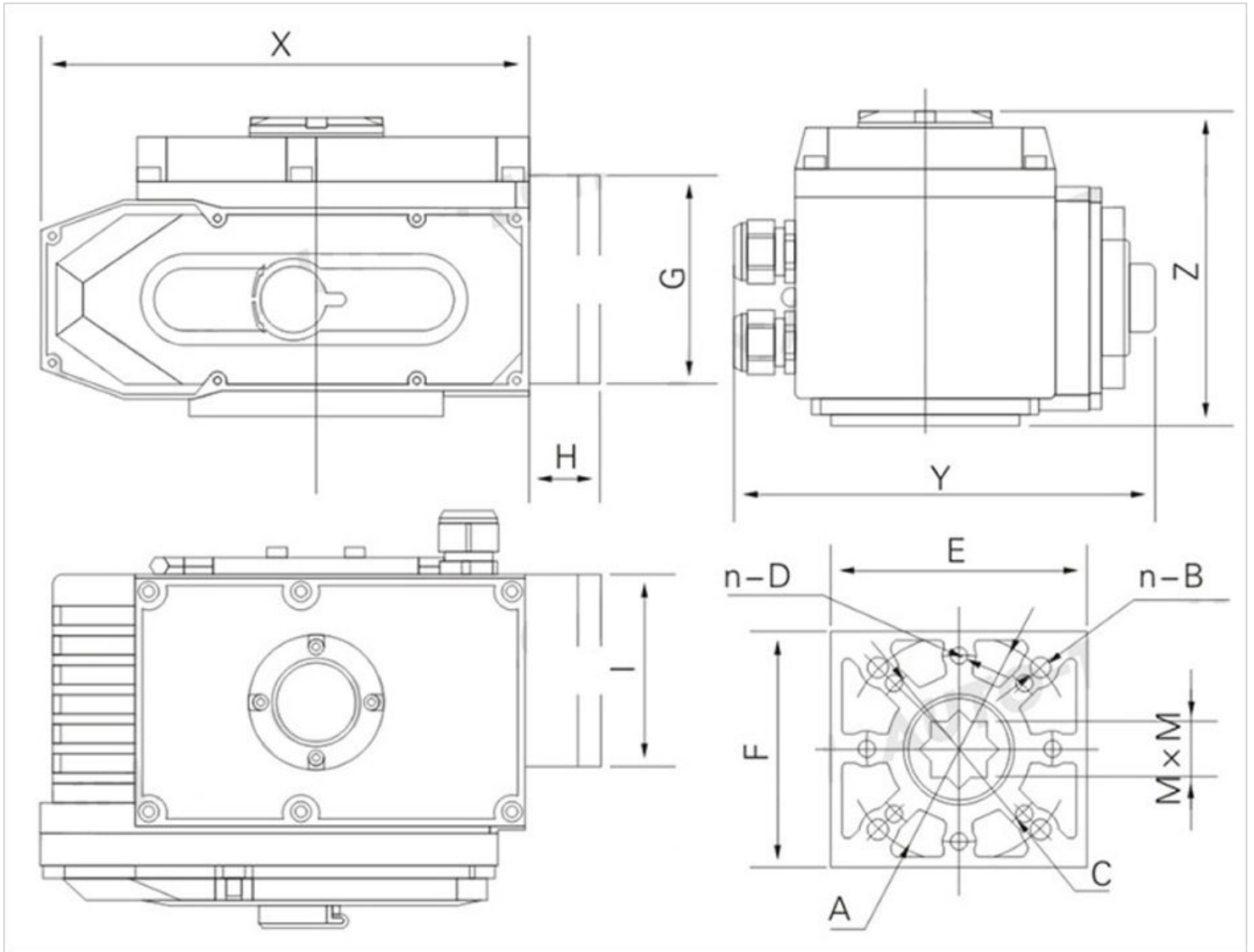
Model	Max Output Torque(NM)	Operating Time90°(S)	Drive Shaft(mm)				Motor(W)	Rated Current(A) 220VAC /1ph	Weight(kg)
			Square	Deep	Round	Deep			
JMO-003	30	10	9X9	13.5	Ø12.6	26	8	0.15	2.1
			11X11	15.5					
JMO-005	50	30	11X11	15.5	Ø12.6	26	10	0.25	3.6
			14X14	18					
JMO-010	100	30	14X14	8	Ø15.78	28	15	0.35	4.6
			17X17	22.5					
JMO-015	150	30	14X14	18	Ø18.95	28	15	0.37	4.6
			17X17	22.5					
JMO-020	200	30	22X22	26	Ø22.13	45	45	0.3	13
JMO-040	400	30	22X22	26	Ø28.48	45	60	0.33	13.8
JMO-060	600	30	27X27	32.5	Ø31.65	45	90	0.33	14
JMO-080	800	40	27X27	32.5	Ø31.65	45	180	0.47	14.3
JMO-100	1000	40	27X27	32.5	Ø31.65	45	180	0.47	14.5

Shell	Waterproof Level IP67,NEMA4 and 6	
Motor Power	Standard:220VAC Single-phase Optional: 110VAC Single-phase,380/440VAC Three-phase,50/60Hz,±10%24VDC/110VDC/220VDC	
Motor	Squirrel-cage asynchronous motor	
Limit Switch	Open/close, each 1SPDT,250VAC10A	
Auxiliary limit switch	Open/close, each 1SPDT,250VAC10A	
Stroke	90°-270°±10°(Please specify in advance if over 90°)	0°-27°Optional
Stall Protection/Operating Temperature	Inside overheating protection, open 120°C±5°C/ close 97°C±5°C	
Indicator	Continuous position indicator	
Manual Operate	Mechanical handle(Handwheel is optional)	
Self-locking Device	Provide self-locking by worm and worm gear	
Mechanical Limit	2 Pieces of external adjustable bolt	
Space Heater	7-10W(110/220V AC)	
Conduit Entry	2 Pieces M18	
Ambient Temperature	-20°C--+70°C	
Lubrication	Aluminum base grease(EP type)	
Material	Steel, aluminum alloy, aluminum bronze, polycarbonate	
Ambient Humidity	Max 90%RH	Non condensation
Anti-vibration performance	XYZ10g,0.2-34Hz,30 Minutes	
External Coating	Dry powder, epoxy polyester	

Actuator Size Selection for Valve

Model	Ball Valve (Hard Seal)	Ball Valve (Soft Seal)	Butterfly Valve (Hard Seal)	Butterfly Valve (Soft Seal)
JMO-03		DN40-50		DN15-20
JMO-05	DN50	DN50-65	DN15-20	DN15-32
JMO-08	DN65	DN80	DN25-32	DN25-40
JMO-10	DN80	DN100	DN40	DN50
JMO-15	DN100	DN125-150	DN50	DN65
JMO-20	DN125	DN150	DN65	DN80
JMO-40	DN150	DN200-250	DN80	DN100-125
JMO-60	DN200	DN250	DN100	DN125
JMO-80	DN200	DN300	DN125	DN150

Outline Dimension



Model	X	Y	Z	A	N-B	C	N-D	E	F	G	H	I	MXM
JMO-003	123	100	115	Ø 50	4-M8	Ø36	4-M6	50	50	114	40	150	9X9
													11X11
JMO-005	161	121	125	Ø 70	4-M8	Ø50	4-M6	66	66	114	40	150	11X11
													14X14
JMO-010	188	145	127	Ø 70	4-M8	Ø50	4-M6	100	90	114	40	150	14X14
													17X17
JMO-015	188	145	127	Ø 70	4-M8	Ø50	4-M6	100	90	114	40	150	14X14
JMO-020	268	255	164	Ø 125	4-M12	Ø102	4-M10	140	130	114	40	150	17X17
JMO-040	268	255	164	Ø 125	4-M12	Ø102	4-M10	140	130	114	40	150	22X22
JMO-060	268	255	164	Ø 125	4-M12	Ø102	4-M10	140	130	114	40	150	22X22
JMO-080	268	255	164	Ø 125	4-M12	Ø102	4-M10	140	130	114	40	150	27X27
JMO-100	268	255	164	Ø 125	4-M12	Ø102	4-M10	140	130	114	40	150	27X27