

QT On-Off Type



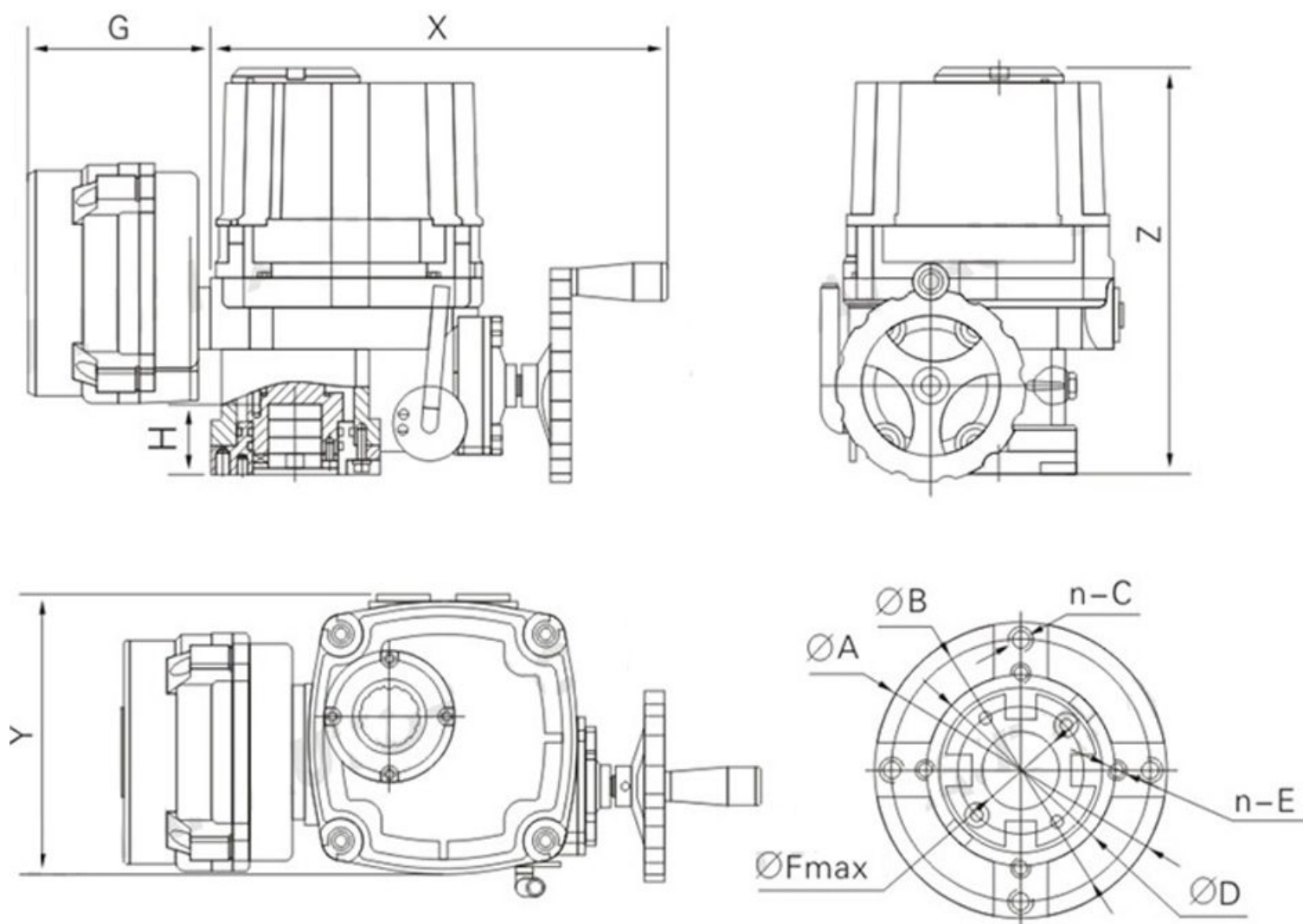
JIMAI QT Series Compact / Industrial Duty / Quarter Turn / Weather-Proof / Valve Rotary Electric Actuator On-off Type for Ball Valve Butterfly Valve

Model	Max Output Torque	Operating Time90°	Max Bore Size	F-class Motor	Rated Current(A)60/50Hz				Handwheel Rotation	Weight
					110V	220V	380V	440V		
	NM	S	mm	W					N	KG
QT-010	100	18/22	Ø20	20	1.10/0.95	0.55/0.54	0.3/0.3	N/A	10	7.5
QT-020	200	21/25	Ø22	40	1.67/1.67	0.89/0.85	0.31/0.31	0.31/0.31	11	17.3
QT-030	300	26/31	Ø35	60	1.85/1.86	0.92/0.92	0.35/0.35	0.34/0.34	13.5	22
QT-050	500	26/31	Ø35	90	3.60/3.62	1.55/1.58	0.59/0.59	0.58/0.58	13.5	23
QT-080	800	31/37	Ø45	120	4.10/4.10	2.15/2.20	0.85/0.85	0.79/0.79	16.5	29
QT-100	1000	31/37	Ø45	180	4.20/4.10	2.35/2.30	0.87/0.87	0.81/0.81	16.5	29
QT-160	1600	93/112	Ø60	180	4.10/4.10	2.15/2.20	0.85/0.85	0.79/0.79	49.5	75
QT-200	2000	93/112	Ø65	180	4.10/4.10	2.15/2.20	0.85/0.85	0.79/0.79	49.5	75

Actuator Size Selection for Valve

Model	Ball Valve(Hard Seal)	Ball Valve (Soft Seal)	Butterfly Valve(Hard Seal)	Butterfly Valve(Soft Seal)
QT-10	DN15-40	DN15-32	DN50-100	DN50-65
QT-15	DN50	DN40	DN125	DN80-100
QT-20	DN65	DN50	DN150	DN125
QT-30	DN80	DN65	DN200	DN150
QT-50	DN100	DN80	DN250	DN200
QT-80	DN125	DN100	DN300	DN250
QT-100	DN150	DN125	DN350	DN300
QT-160	DN200	DN150	DN400	DN350
QT-200	DN250	DN200	DN450	DN400

Outline Dimension



MODEL	X	Y	Z	A	B	N-C	D	N-E	F	G	H
QT-010	270	161	270	Ø90	Ø70	4-M8	Ø50	4-M6	Ø20	137	35
QT-020	346	240	270	Ø120	Ø102	4-M10	Ø70	4-M8	Ø22	137	40
QT-030	358	240	290	Ø150	Ø125	4-M12	Ø102	4-M10	Ø35	137	45
QT-050	358	240	290	Ø150	Ø125	4-M12	Ø102	4-M10	Ø35	137	45
QT-080	390	260	322	Ø180	Ø140	4-M14	Ø125	4-M12	Ø45	137	55
QT-100	390	260	322	Ø180	Ø140	4-M14	Ø125	4-M12	Ø45	137	55
QT-160	390	260	491	Ø210	Ø165	4-M16	Ø140	4-M14	Ø55	137	65
QT-200	390	260	491	Ø210	Ø165	4-M16	Ø140	4-M14	Ø55	137	65